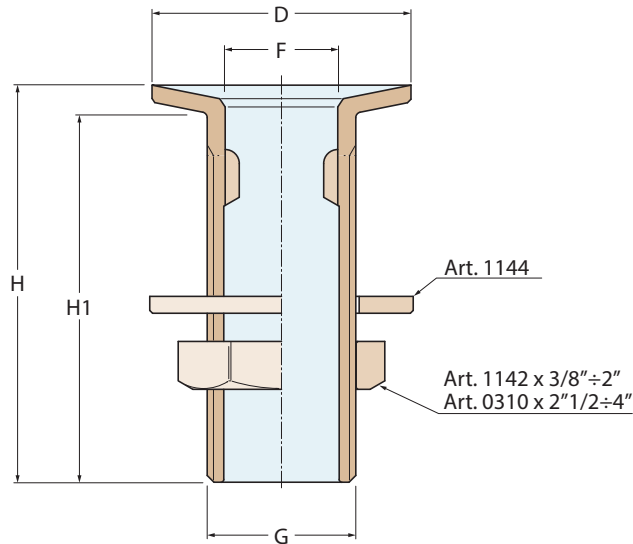


prese e scarichi a mare water intakes and thru-hulls

1122

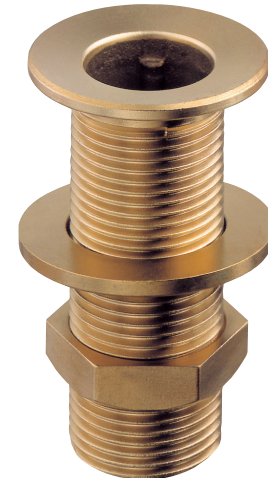
Scarico a mare a pozzetto
Thru-hull connection well pattern

Omologato RINA
RINA validated



FILETTATURE / THREAD :
G = ISO 228/1 (BS 2779)

1122	■	■	■	■	■	■	■	■	■	■
1122C	■	■	■	■	■	■	■	■	■	■
Weight (gr)	75	115	190	335	445	580	880	1840	2530	4120
H	55	65	70	85	86	95	107	128	157	207
H1	50	60	65	80	80	90	100	122	148	200
F	12	15	20	25	33	39	50	63	76	100
D	30	35	45	53	62	69	82	108	118	150
G	3/8"	1/2"	3/4"	1"	1"1/4	1"1/2	2"	2"1/2	3"	4"



Ottone sabbato ■
Yellow brass

1122C



Ottone cromato ■
Chromium-plated brass